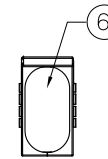
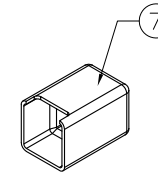
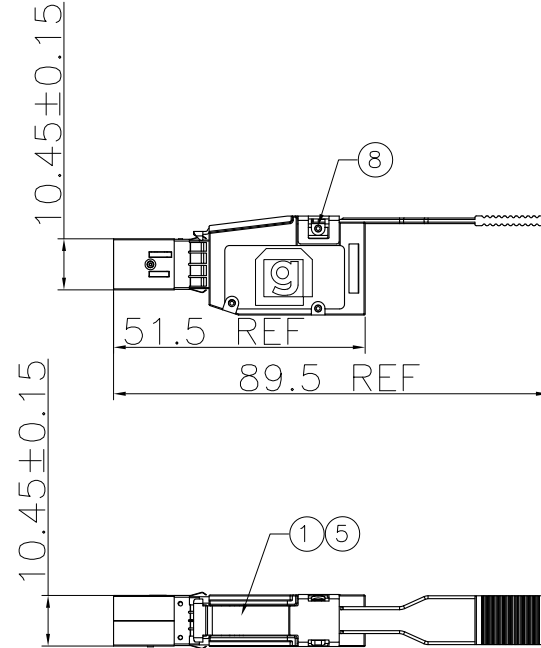
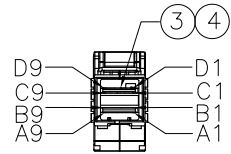


PROPRIETARY INFORMATION
COMPANY CONFIDENTIAL

| REV. | ECN. NO. | DESCRIPTION | ENG | DATE |
|------|----------|-------------|------|-----------|
| X1 | | INITIAL | HSIO | 21/7/2016 |



| 7 | P-HSEPE-0001 | 1 | DUST COVER FOR SFF-8644, PE, NATUAL | |
|------|----------------|------|---|------|
| 6 | M-HSETPNI-01 | 1 | PLUG BOARD | |
| 5 | P-HSEPE-0002 | 1 | INNER MOLDING FOR EXT HD-SAS, | |
| 4 | P-HSE2830-02B | 1 | EXT MINI SAS HD PCB A,B | |
| 3 | A-HSE2830-01B | 1 | EXT MINI SAS HD PCB C,D | |
| 2 | SHSE30-1-G | 1 | EXT HD-SAS CONNECTOR,SHELL,LATCH,PULL TAB,RIVET,EMI | |
| 1 | CAB-MSI-D-30MN | R/A | 2P 30AWG CABLE | |
| ITEM | NAME | Q'TY | DESCRIPTION | NOTE |

| | |
|-------------------|-----------------|
| GENERAL TOLERANCE | ANGLE TOLERANCE |
| X.± 0.50 | X°± 5.0° |
| .X± 0.20 | .X°± 3.0° |
| .XX± 0.10 | .XX°± 2.0° |
| .XXX± 0.05 | .XXX°± 1.0° |
| MATL | SEE BOM |
| FINISH | SEE NOTES |
| SCALE | N/A |
| UNIT | mm |
| SHEET | 1 OF 2 |

| | |
|----------|------------|
| DRAWN | DATE |
| HSIO | 2016.07.21 |
| CHECKED | DATE |
| APPROVED | DATE |

| | |
|--|---------|
| RoHS Compliant | |
| | |
| TITLE: EXT MINI SAS HD LOOPBACK SFF-8644 , 12G | |
| PART NUMBER: 230-10025-01 | |
| DRAWING NO. 230-10025 | SIZE A4 |
| | REV. X1 |

A
B
C
D
E

A
B
C
D
E

1

2

3

4

5

6

7

8

1

2

3

4

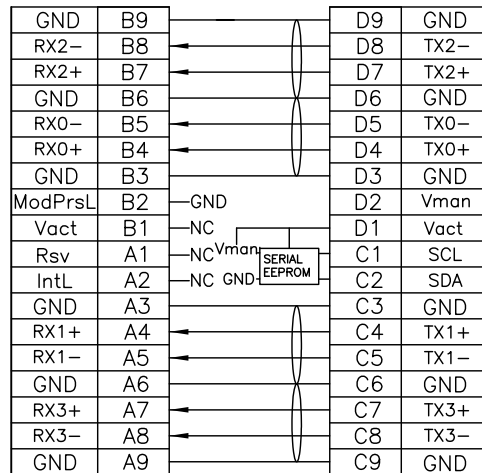
5

6

7

8

WIRING TABLE



MATERIAL RoHS COMPLIANT:

1. PCB: ISOLA 370HR
2. LEFT /RIGHT SHELL: ZINC ALLOY NICKEL PLATED
3. THIS PRODUCT CONFORMS TO THE MECHANICAL DIMENSIONING REQUIREMENTS OF SFF-8644
4. ELECTRICAL TEST PLS REFER TO SLK STANDARD ES-005
5. TWO-WIRED SERIAL MEMORY: AT24C02B EEPROM(256 BYTES)
6. THIS PRODUCT MEETS SAS3.0

RoHS Compliant

| | | | | |
|--|---|---------------|--------------------|--|
| GENERAL TOLERANCE X.± 0.50 .X± 0.20 .XX± 0.10 .XXX± 0.05 | ANGLE TOLERANCE X°± 5.0° .X°± 3.0° .XX°± 2.0° .XXX°± 1.0° | DRAWN HSIO | DATE 2016.07.21 | |
| MATL SEE BOM | | CHECKED | DATE | |
| FINISH SEE NOTES | | APPROVED | | DATE |
| SCALE N/A | UNIT mm | SHEET 2 OF 2 | | PART NUMBER. 230-10025-01 DRAWING NO. 230-10025 SIZE A4 REV. X1 |